



The mineral supporter

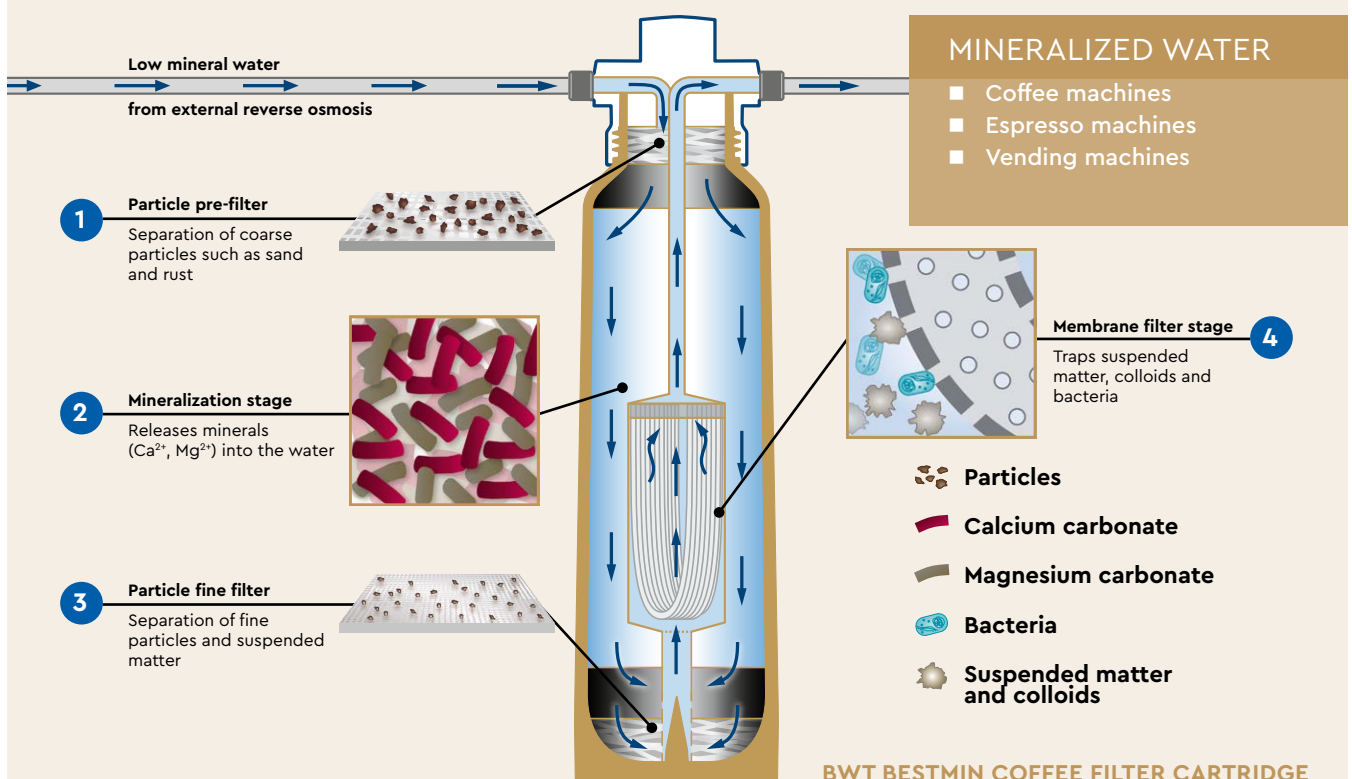
SPECIAL FILTER FOR MINERALIZING

BWT bestmin COFFEE is a filter that was developed specially for mineralizing low-mineral soft water, which can occur naturally in places. In addition, after each reverse osmosis, BWT bestmin COFFEE can also be used as an external mineralizer.

This filter uses a special mineral granulate that guarantees specific and constant mineralization, which benefits the brewing process for coffee and its sensory quality. In addition, the filter has a membrane module (0.1 μm) with which colloids and bacteria (log 6) are safely reduced from the water. The water profits enormously from this with regard to purity and microbiological quality.

The filter system consists of a filter cartridge and a filter head with two check valves that prevent backflow of water into the supply system and filter as well as water discharge. Food grade BWT bestmin COFFEE filter systems are pressure-resistant and safe.

BWT BESTHEAD FILTER HEAD



TECHNICAL DATA

Filter size	100
Typical capacity in litres	10,000
Total height without bracket (A) in mm	485
Connection height (B) in mm	424
Ø filter cartridge (C) in mm	130
Weight in kg, (dry/wet)	4.2/5.6
Order no. for filter cartridge	FS24M99A00

Subject to change.

BWT BESTMIN COFFEE – THE MINERAL DISPENSER

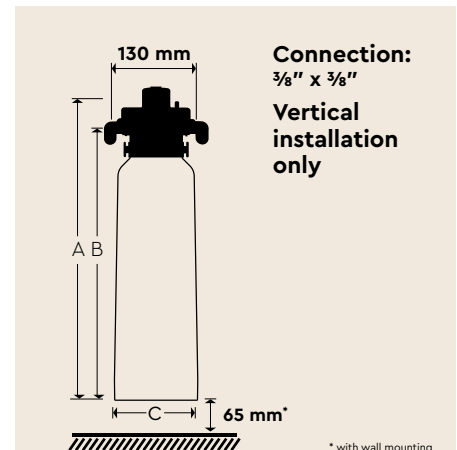
Main advantages:

- Specially suitable for local low-mineral raw water in soft water areas as well as after reverse osmosis
- Purest bacteria-free water at all times thanks to integrated BWT membrane technology
- Frees water from undesirable accompanying substances and microplastics
- Guarantees a balanced minerals ratio in the filtrate
- Supplies perfect water for making sensorily high-quality hot beverages

Technical features:

- Mineralizing of low-salt raw water
- BWT ultrafiltration membrane (0.1 µm)
- Retention of bacteria with 99.9999% (log 6)
- Filtration of the complete processed water
- Easy to install using universal BWT besthead FLEX connection system

BWT water+more products for remineralizing	BWT bestaqua PREMIUM	BWT bestmin PREMIUM	BWT bestmin COFFEE
Magnesium mineralizing based on BWT RO	✓		
Remineralizing based on BWT RO		✓	✓
BWT magnesium technology	✓		
Integrated active carbon filtration	✓	✓	
Retention of bacteria (log 6)	✓		✓
Retention of particles and microplastic (0.1 µm)	✓		✓
Use in BWT bestaqua ROC Coffee	✓		
Use in BWT bestaqua ROC MIN		✓	
Mineralizing of natural soft water		✓	✓
Standalone use without RO		✓	✓

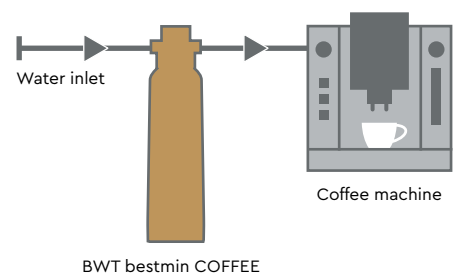


OPERATING CONDITIONS

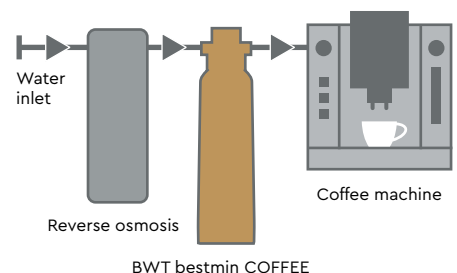
Input pressure:	2–8 bar
Water temperature:	4–30 °C
Ambient temperature:	4–40 °C

USE/INSTALLATION

Standalone



External after reverse osmosis



ACCESSORIES

	Description	Order number
BWT besthead FLEX filter head	BWT besthead FLEX with 2 connectors 90° elbow, FLEX Insert, M 3/8" made from GFP	FS00Z20A00
BWT besthead FLEX Set 1	BWT besthead FLEX with 2 connectors 90° elbow, FLEX Insert, M 3/8" made from GFP, connection hose DN 8, 1.5 m, with ball valve, FLEX Insert 90° elbow made from GFP, cap nut FM 3/8", connector straight, FLEX Insert x M 3/8" made from GFP, reduction FM 3/4" x M 3/8" made from GFP	FS00Z39A00

SALES:

BWT Australia:
sales@bwtaustralia.com.au
Tel: 1300 720 299

BWTAUSTRALIA.COM.AU

