

# BWT bestprotect

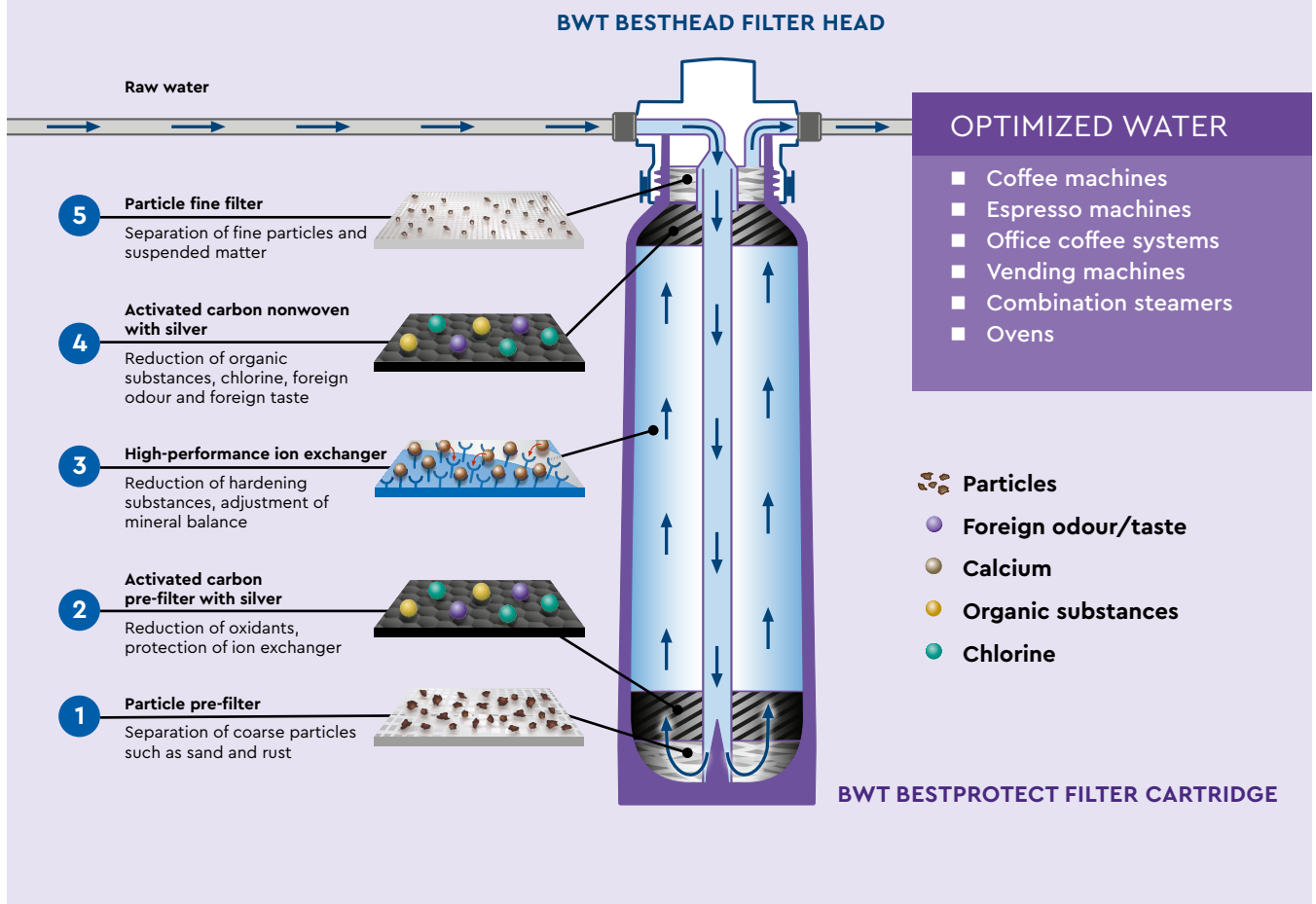


## The protectors

### WATER WITH THE PROTECTION FACTOR FOR CATERING AND VENDING

With BWT bestprotect, you can optimize raw water for catering application in a targeted way. This filter system ensures balanced mineralization and a consistently high pH value in the filtrate – key factors that minimize the risk of corrosion. Hardness-forming calcium ions are safely reduced and deposits of limescale and gypsum prevented in the case of raw water containing carbonates or sulphates. Insoluble or difficult-to-remove deposits in machines are now a thing of the past.

The filter system consists of a filter cartridge with a BWT besthead filter head. Check valves in the filter head prevent water backflow and uncontrolled water discharge. BWT bestprotect food-safe filter systems are pressure-resistant and safe. They can be used worldwide in any drinking water system.



## TECHNICAL DATA

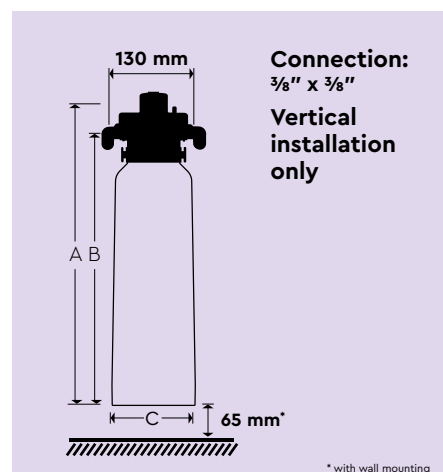
Size	S	V	M	XL	2XL
Total height without bracket (A) in mm	368	429	485	512	576
Connection height (B) in mm	307	368	424	451	515
Ø filter cartridge (C) in mm	88	110	130	147	185
Weight in kg (dry/wet)	0,9/1,5	2,1/3,2	2,8/4,2	3,8/6,0	7,5/11,0
Order no. for filter cartridge	FS22N00A00	FS23N00A00	125501405	FS28N00A00	FS30N00A00

## SETTINGS AND CAPACITIES<sup>(1)</sup> (no bypass setting)

Hot beverage preparation with steam generation / Combination steamer/oven

Total hardness	Size				
	S	V	M	XL	2XL
≤7	≥ 855	≥ 2140	≥ 3143	≥ 5125	≥ 8570
8	750	1875	2750	4458	7500
<b>10</b>	<b>600</b>	<b>1500</b>	<b>2200</b>	<b>3590</b>	<b>6000</b>
12	505	1250	1833	2620	5000
<b>14</b>	<b>440</b>	<b>1070</b>	<b>1570</b>	<b>2245</b>	<b>4285</b>
17	380	880	1294	1850	3525
20	310	750	1100	1570	3000
23	240	600	957	1175	2400
≥ 25	≤ 225	≤ 556	≤ 880	≤ 1090	≤ 2220

<sup>(1)</sup> Capacities may deviate by up to ±5 % depending on the local water quality and volume flow. Please refer to the operating and installation instructions for more detailed capacity figures. Subject to change.



## OPERATING CONDITIONS

Input pressure:	2–8 bar
Water temperature:	4–30 °C
Ambient temperature:	4–40 °C

## ACCESSORIES

	Description	Order number
<b>BWT besthead FLEX filter head</b>	BWT besthead FLEX with 2 connectors 90° elbow, FLEX Insert, M 3/8" made from GFP	FS00Z20A00
<b>BWT besthead FLEX Set 1</b>	BWT besthead FLEX with 2 connectors 90° elbow, FLEX Insert, M 3/8" made from GFP, Connection hose DN 8, 1.5 m, with ball valve, FLEX Insert 90° elbow made from GFP, cap nut FM 3/8", Connector straight, FLEX Insert x M 3/8" made from GFP, Reduction FM 3/4" x M 3/8" made from GFP	FS00Z39A00



## SALES:

BWT Australia:  
sales@bwtaustralia.com.au  
Tel: 1300 720 299

[BWTAUSTRALIA.COM.AU](http://BWTAUSTRALIA.COM.AU)

