



BWT Multistage UV System - UV20



SEDIMENT, ACTIVATED CARBON
AND ULTRAVIOLET DISINFECTION SOLUTION

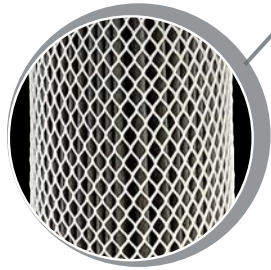
BWT UV20

BWT Multistage UV System – UV20

Harnessing the power of ultraviolet light, this unit acts as a natural and chemical free solution to disinfecting mains water and provides an enhanced water experience.



STAGE 1
Sediment filtration
to reduce dirt/
rust, sediment and
particulate matter



STAGE 2
Activated carbon
cartridge to reduce
bad taste & odours and
organic matter

STAGE 3
Ultraviolet lamp
with a quartz glass
sleeve all contained
within a stainless
steel pressure
vessel



*Different micron levels available

Features

- 3 Stage UV Filter System turns your mains or tank water into clean, safe potable water
- Supplied on a manifold bracket
- Quality design and materials of construction for performance and longevity
- Lockable cover protects controller and lamp replacement cap
- BWT controller monitors lamp life with a countdown timer. A handy 2 stage alarm provides a call to action

Applications



Rainwater tank



Whole house



Commercial

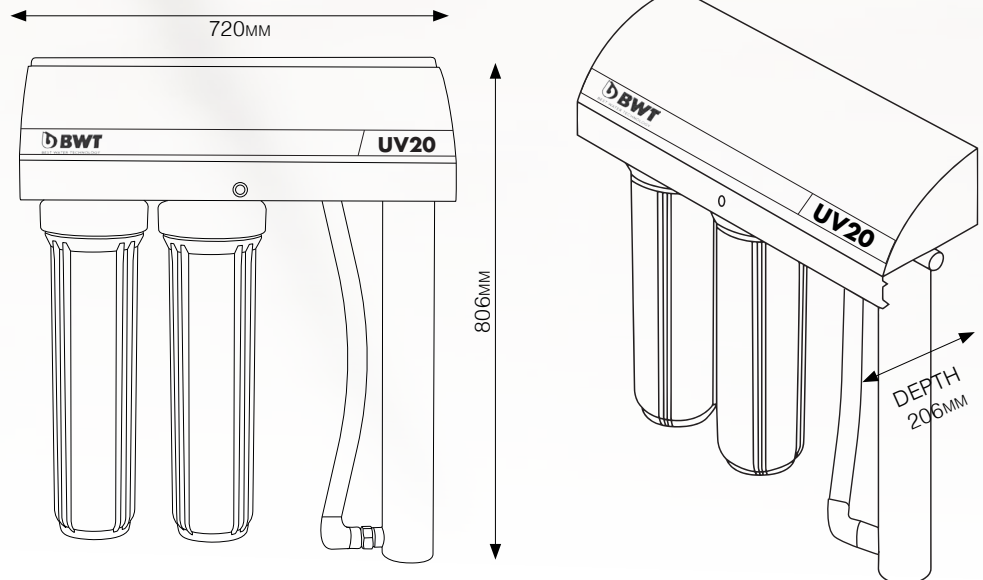


Light industrial



Product Dimensions

Note: For cartridge change allow 200mm beneath system. For UV lamp change allow 1000mm above system.



Specifications

Model:	BWT UV20
Connection:	1" bspf (inlet) 1" bspm (outlet)
Water Pressure:	300 kPa min - 860 kPa max
Water Temperature:	4 deg C - 40 deg C (Protect from freezing)
Flow Rate:	< 70 lpm (30mJ/cm2)

Spares

Stage 1 filtration:	PL10W20
Stage 2 filtration:	CP10W20
Stage 3 Ultra violet disinfection:	UV lamp UV20LP56 UV Quartz Sleeve UV20QS1

Maintenance Guidelines

For optimum performance of the UV20 – Replace the UV lamp annually.
9000 hours (12 months) life is set on controller alarm for convenience.

Periodically clean the quartz sleeve to remove staining.

Changeout of filter cartridges is recommended every 12 months.



Warranty

BWT Australia warrants that the products supplied will be free from any defects in workmanship or materials for 12 months from the date of purchase. Further, the warranty provided herein applies only when products are installed in accordance with installation instructions, used within the product specifications and service life; beyond which time or use BWT is absolved of any and all liability for any use of the product. No liability is accepted where pressure, temperature or in the event of defect or non-conformity, buyer shall properly notify BWT in writing, supplying proof of purchase dates, installation dates, and will protect and retain the products for investigation. There are no other warranties, either merchantability or fitness, either expressed or implied except as excluded by law.